



VARISCITE LTD

---

## 2.4/5.5GHz DIPOLE ANTENNA WITH U.FL ADAPTOR

Variscite PN: VAC-ANT\_5

LSR PN: Dipole 001-0009, U.FL cable 080-0001



### 2.4 GHz / 5.5 GHz Dipole 2 dBi Antenna for Reverse Polarity SMA



#### ORDERING INFORMATION

Order Number	Description
001-0009	2.4/5.5GHz Dipole Antenna for Reverse Polarity SMA Connector.
080-0001	U.FL to Reverse Polarity SMA Cable, 105mm

Table 1 Orderable Part Numbers

The information in this document is subject to change without notice.

**SPECIFICATIONS**

Specification	Value
2.4GHz Band Peak Gain	+2 dBi
5 GHz Band Peak Gain	+2 dBi
Impedance	50 ohms, Nominal
Type	Dipole
Polarization	Linear Vertical
VSWR	≤2.0 : 1, Maximum
Frequency	2400-2500MHz, 5150-5850MHz
Weight	22g
Size	137 × 13 mm
Antenna Color	Black
Operating Temp	-20°C +65°C
UL Rating	UL 94HB

**Table 2 Specifications**

---

The information in this document is subject to change without notice.

### PHYSICAL DIMENSIONS (MM)

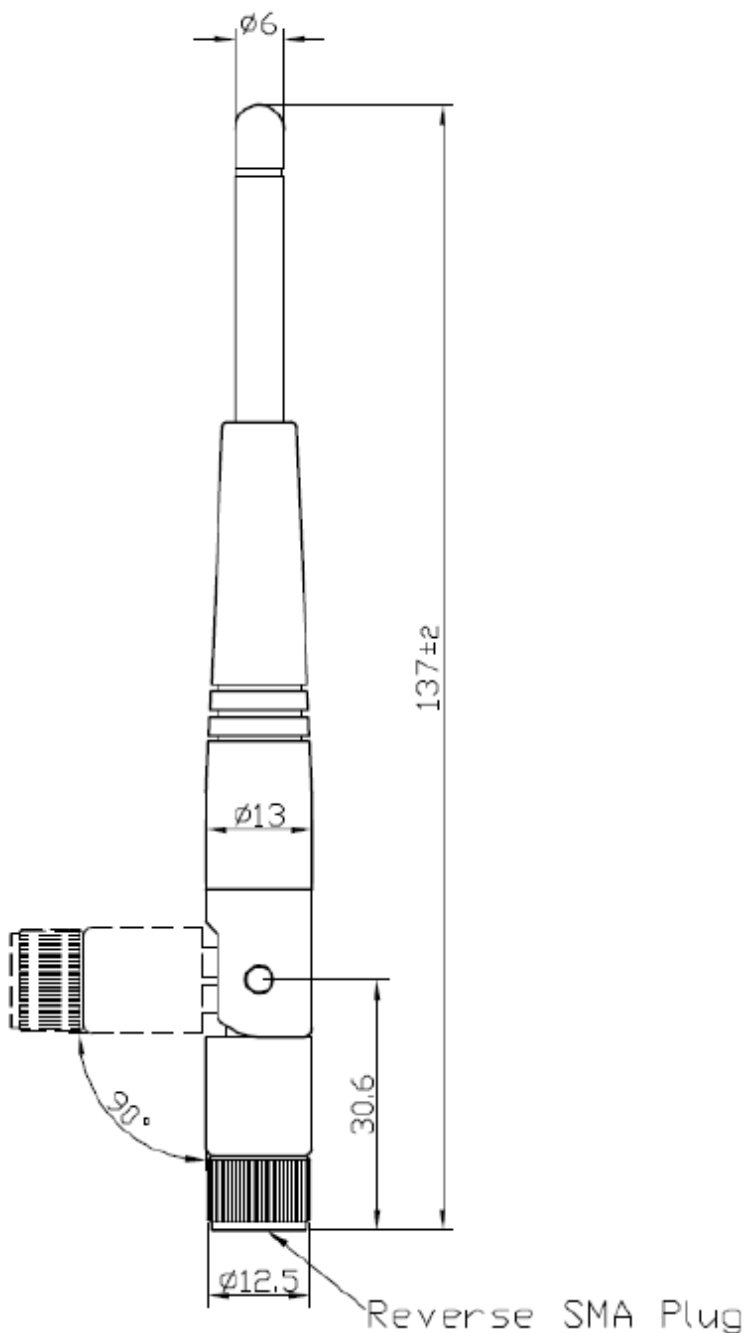


Figure 1 Physical Dimensions

The information in this document is subject to change without notice.

### TYPICAL ANTENNA REFLECTION PERFORMANCE

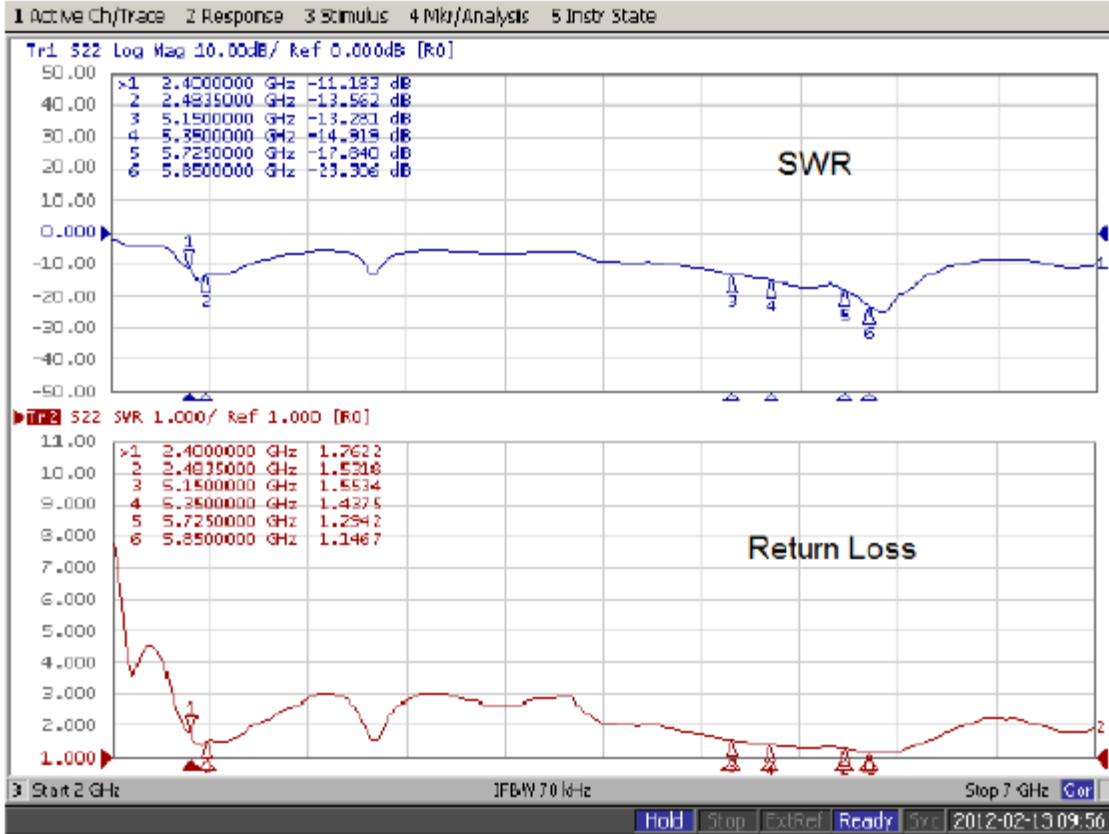


Figure 2 Typical Antenna Reflection Performance

### TYPICAL ANTENNA RADIATION PERFORMANCE

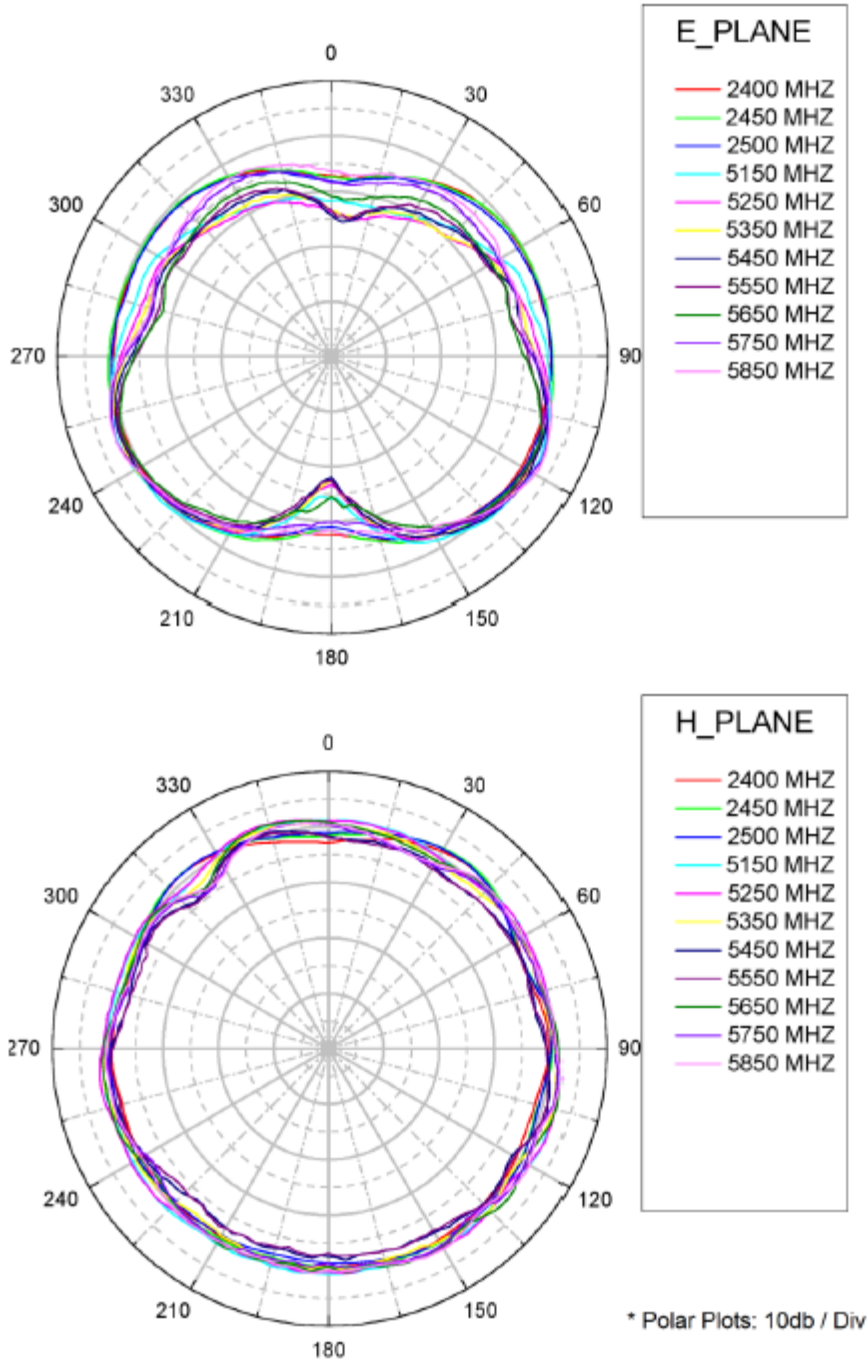


Figure 3 Typical Antenna Radiation Performance

The information in this document is subject to change without notice.

### CONTACTING LS RESEARCH

<b>Headquarters</b>	LS Research, LLC W66 N220 Commerce Court Cedarburg, WI 53012-2636 USA Tel: 1(262) 375-4400 Fax: 1(262) 375-4248
<b>Website</b>	<a href="http://www.lsr.com">www.lsr.com</a>
<b>Wiki</b>	<a href="http://wiki.lsr.com">wiki.lsr.com</a>
<b>Technical Support</b>	<a href="http://forum.lsr.com">forum.lsr.com</a>
<b>Sales Contact</b>	<a href="mailto:sales@lsr.com">sales@lsr.com</a>

The information in this document is provided in connection with LS Research (hereafter referred to as "LSR") products. No license, express or implied, by estoppel or otherwise, to any intellectual property right is granted by this document or in connection with the sale of LSR products. EXCEPT AS SET FORTH IN LSR'S TERMS AND CONDITIONS OF SALE LOCATED ON LSR'S WEB SITE, LSR ASSUMES NO LIABILITY WHATSOEVER AND DISCLAIMS ANY EXPRESS, IMPLIED OR STATUTORY WARRANTY RELATING TO ITS PRODUCTS INCLUDING, BUT NOT LIMITED TO, THE IMPLIED WARRANTY OF MERCHANTABILITY, FITNESS FOR A PARTICULAR PURPOSE, OR NON-INFRINGEMENT. IN NO EVENT SHALL LSR BE LIABLE FOR ANY DIRECT, INDIRECT, CONSEQUENTIAL, PUNITIVE, SPECIAL OR INCIDENTAL DAMAGES (INCLUDING, WITHOUT LIMITATION, DAMAGES FOR LOSS OF PROFITS, BUSINESS INTERRUPTION, OR LOSS OF INFORMATION) ARISING OUT OF THE USE OR INABILITY TO USE THIS DOCUMENT, EVEN IF LSR HAS BEEN ADVISED OF THE POSSIBILITY OF SUCH DAMAGES. LSR makes no representations or warranties with respect to the accuracy or completeness of the contents of this document and reserves the right to make changes to specifications and product descriptions at any time without notice. LSR does not make any commitment to update the information contained herein. Unless specifically provided otherwise, LSR products are not suitable for, and shall not be used in, automotive applications. LSR's products are not intended, authorized, or warranted for use as components in applications intended to support or sustain life.

The information in this document is subject to change without notice.

**Cable Assembly – U.FL to Reverse Polarity SMA Bulkhead Female**



**ORDERING INFORMATION**

Order Number	Description
080-0001	Cable Assembly: 105mm in Length with Reverse Polarity SMA Female Bulkhead and U.FL Connector using 1.13mm Diameter Cable.

Table 1 Orderable Part Numbers

**SPECIFICATIONS**

Specification	Value
Frequency Range	DC to 6GHz
Impedance	50 ohms
Operating Temp	-40° to +85° C
Rated Voltage	AC 60V
Contact Resistance	20m ohm max – signal and ground
Withstand Voltage	AC 200V
Insulation Resistance	500M ohm minimum/DC 100V
VSWR	< 1.2:1 @ 900MHz
	< 1.4:1 @ 2400MHz
	< 2.0:1 @ 4900MHz
	< 2.0:1 @ 5900MHz
IL	< 0.4dB @ 900MHz
	< 0.7dB @ 2400MHz
	< 1.5dB @ 4900MHz
	< 2.0dB @ 5900MHz
Bend Radius	6.8mm minimum

Table 2 Specifications

The information in this document is subject to change without notice.



### PHYSICAL DIMENSIONS (MM)

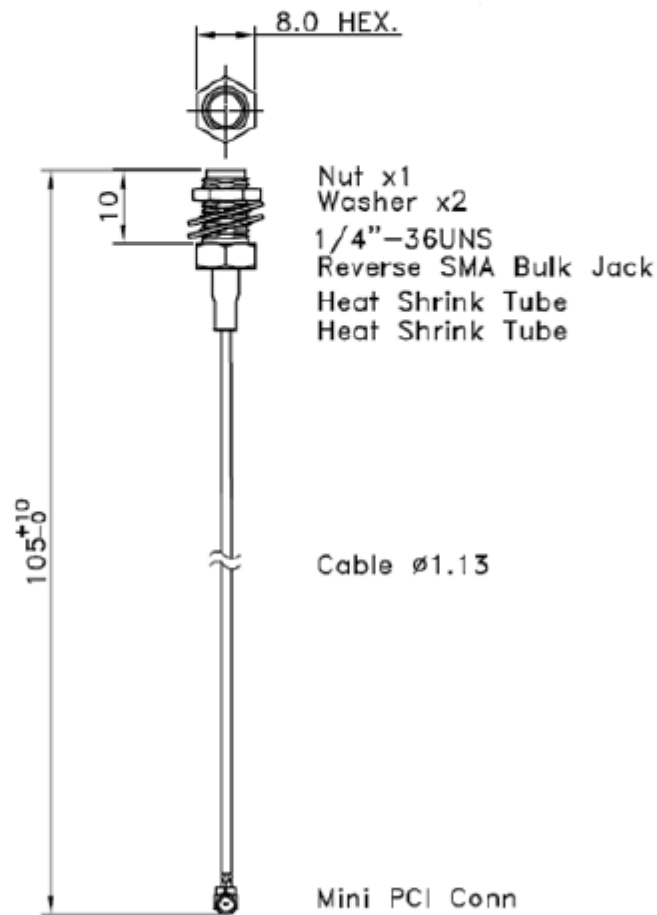
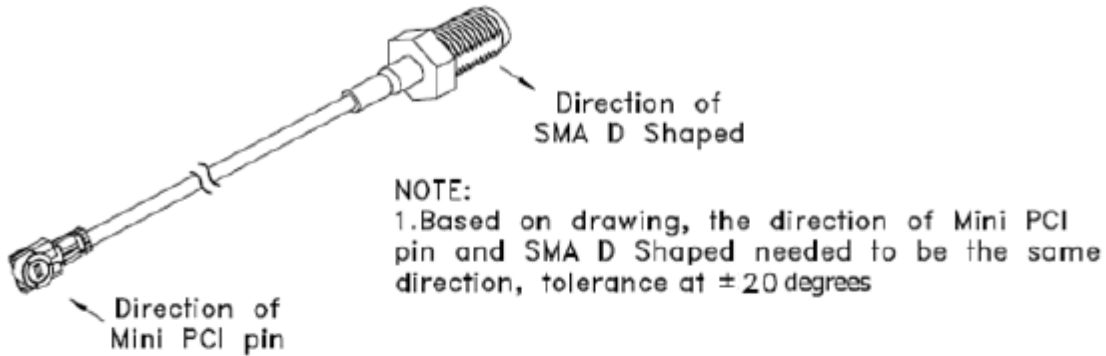


Figure 1 Physical Dimensions

The information in this document is subject to change without notice.

### PANEL CUTOUT

#### RECOMMENDED PANEL CUTOUT

3.80 [.150] MAX. PANEL THICKNESS

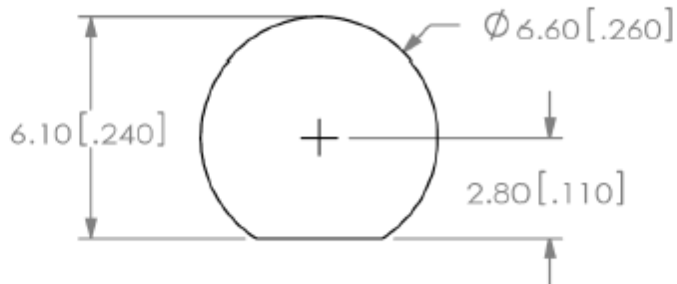


Figure 2 Recommend Cutout

**CONTACTING LS RESEARCH**

<b>Headquarters</b>	LS Research, LLC W66 N220 Commerce Court Cedarburg, WI 53012-2636 USA Tel: (262) 375-4400 Fax: (262) 375-4248
<b>Website</b>	<a href="http://www.lsr.com">www.lsr.com</a>
<b>Wiki</b>	<a href="http://wiki.lsr.com">wiki.lsr.com</a>
<b>Technical Support</b>	<a href="http://forum.lsr.com">forum.lsr.com</a>
<b>Sales Contact</b>	<a href="mailto:sales@lsr.com">sales@lsr.com</a>

The information in this document is provided in connection with LS Research (hereafter referred to as "LSR") products. No license, express or implied, by estoppel or otherwise, to any intellectual property right is granted by this document or in connection with the sale of LSR products. EXCEPT AS SET FORTH IN LSR'S TERMS AND CONDITIONS OF SALE LOCATED ON LSR'S WEB SITE, LSR ASSUMES NO LIABILITY WHATSOEVER AND DISCLAIMS ANY EXPRESS, IMPLIED OR STATUTORY WARRANTY RELATING TO ITS PRODUCTS INCLUDING, BUT NOT LIMITED TO, THE IMPLIED WARRANTY OF MERCHANTABILITY, FITNESS FOR A PARTICULAR PURPOSE, OR NON-INFRINGEMENT. IN NO EVENT SHALL LSR BE LIABLE FOR ANY DIRECT, INDIRECT, CONSEQUENTIAL, PUNITIVE, SPECIAL OR INCIDENTAL DAMAGES (INCLUDING, WITHOUT LIMITATION, DAMAGES FOR LOSS OF PROFITS, BUSINESS INTERRUPTION, OR LOSS OF INFORMATION) ARISING OUT OF THE USE OR INABILITY TO USE THIS DOCUMENT, EVEN IF LSR HAS BEEN ADVISED OF THE POSSIBILITY OF SUCH DAMAGES. LSR makes no representations or warranties with respect to the accuracy or completeness of the contents of this document and reserves the right to make changes to specifications and product descriptions at any time without notice. LSR does not make any commitment to update the information contained herein. Unless specifically provided otherwise, LSR products are not suitable for, and shall not be used in, automotive applications. LSR's products are not intended, authorized, or warranted for use as components in applications intended to support or sustain life.

---

The information in this document is subject to change without notice.