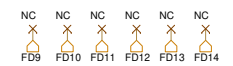
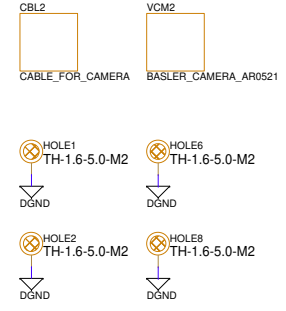
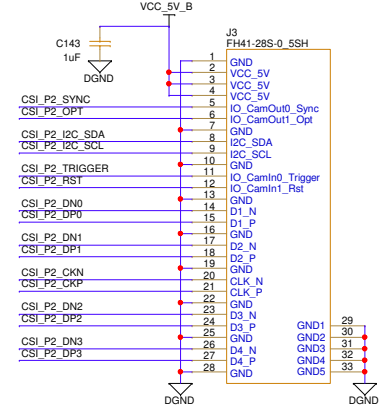
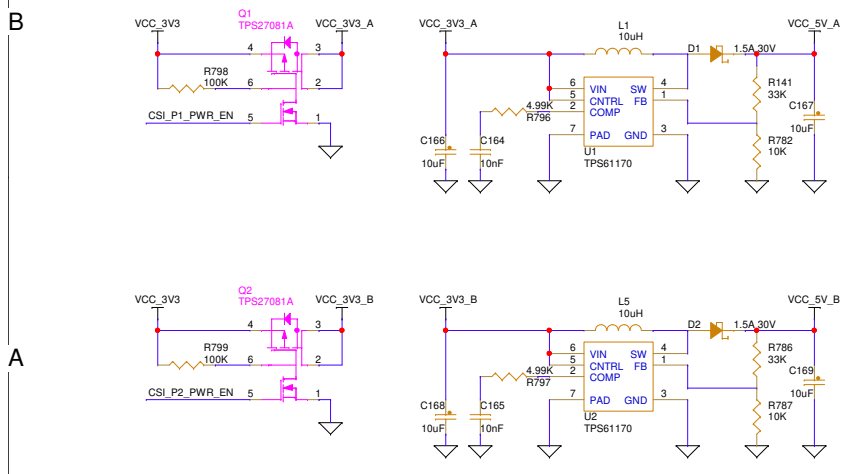
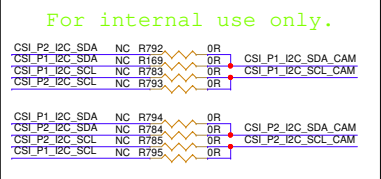
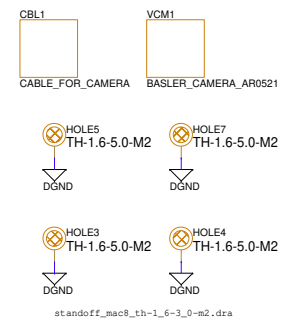
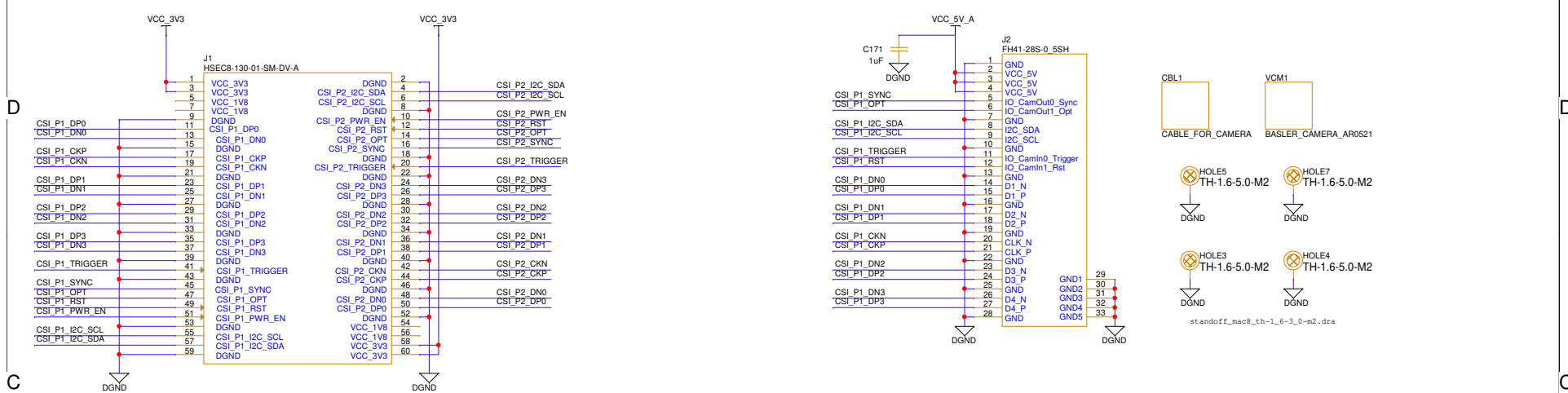


03. Camera Extension Board



File: 03. Camera Extension Board

Size A3	Document Number VAR-EXT-C8B	Project VCAM-AR1335B	Rev 1.1B
Designer: Leonid S.	Approved By: <Approved By>	Date: Tuesday, October 20, 2020 Sheet 3 of 3	